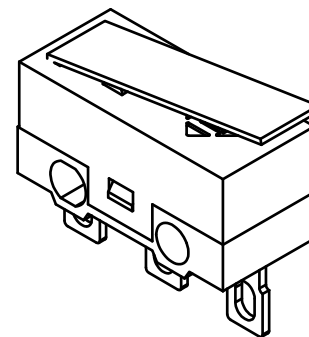


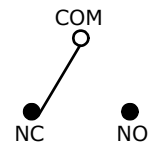
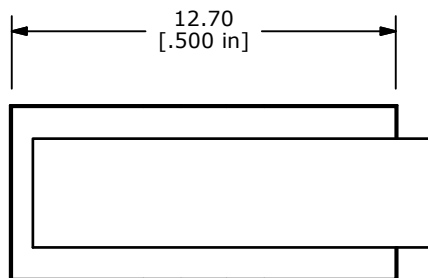
ISOMETRIC

SCALE: 3:1

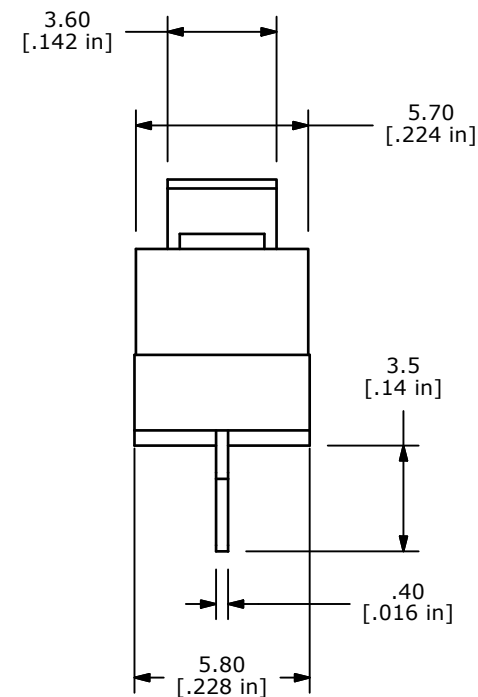
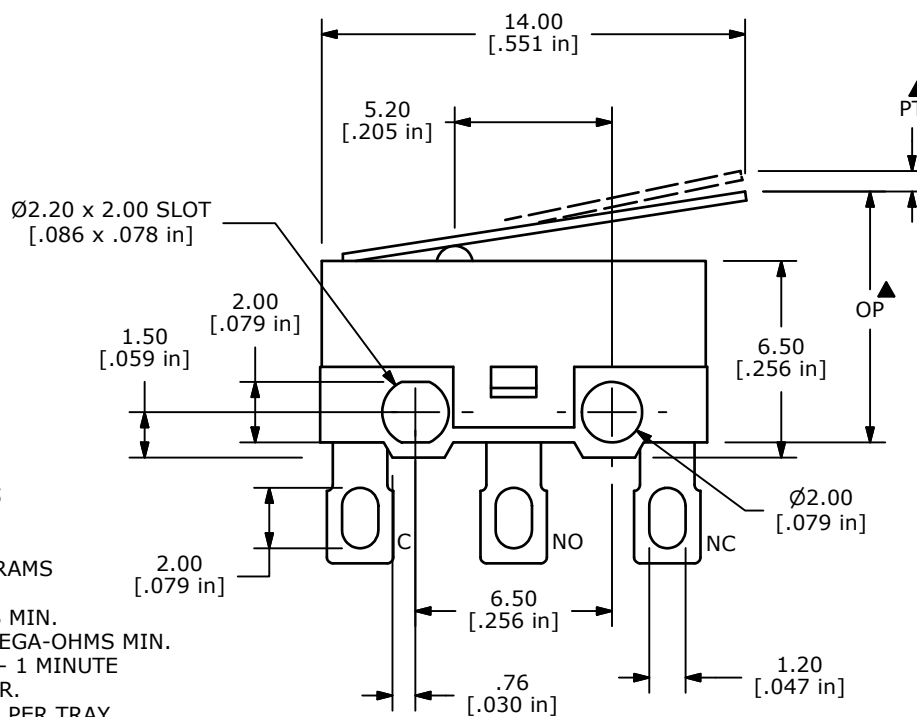


O.P. (MM)	P.T. (MM)
8.8 ±0.8	1.6 MAX.

O.P. = OPERATING POINT
P.T. = PRE-TRAVEL



CIRCUIT: SPDT



NOTES:

1. ALL DIMENSIONS IN MM [INCH]
2. GENERAL TOLERANCE: X.X=±0.4
X.XX=±0.25
- ▲ 3. RATING: 3A @ 125 VAC
1.5A @ 250VAC UL
- ▲ 4. OPERATING FORCE: 20 +10/-5 GRAMS
5. OPERATING TEMP: -25°C TO 75°C
6. ELECTRICAL LIFE: 10,000 CYCLES MIN.
7. INSULATION RESISTANCE: 100 MEGA-OHMS MIN.
8. DIELECTRIC STRENGTH: 500VAC - 1 MINUTE
9. ▲ DENOTES CRITICAL PARAMETER.
10. PACKAGED IN TRAYS, 120 PIECES PER TRAY.
11. 2002/95/EC (ROHS) COMPLIANT



TITLE SS0750301F020S1A

A	20528	NEW RELEASE	3/14/2012	MM
REV	PCR NO	DESCRIPTION	DATE	BY

THE INFORMATION CONTAINED IN THIS DOCUMENT IS PROPRIETARY TO E-SWITCH AND IS NOT TO BE COPIED OR TRANSFERRED

SCALE	DATE	DR	DWG	REV
4:1	3/14/2012	BLR	Q990002	A